

PRODUCT SHORT DESCRIPTION:

Innovative solution with sliding pen tray

FEATURES AND BENEFITS:

- Essential Topaz Series:
 - Good value for money for frequent use
- Unique repositionable sliding pen tray
- Smart anodized aluminium frame with contrasting profiles
- Available in three choices of surface:
 - Melamine
 - Lacquered steel
 - Enamel
- Wall fixings supplied
- Gridded solution also available in melamine or enamel surfaces, improving drawing and writing

PRODUCT IMAGE:



MARKETING COPY:

The new generation Maya boards add new functionalities and extra versatility to Bi-Office's line of presentation hardware. Keeping up with our customers' demands and creating value to the final user, our team created a new frame that opens new possibilities. The smart design and the user friendly adjustable pen tray make the products of this new line ideal to all business oriented spaces. Combining looks and functionality, Bi-Office's New Generation boards will fit and even enhance most decoration styles.

APPLICATION AND SALES PROPOSITION:

- Innovative design with sliding pen tray easily adapts to the user's needs
- Very nice looking board to business oriented spaces
- Grid remains visible without hampering the presentation content

TARGET MARKET:

CHANNEL: Office products wholesalers, office products stores, other retailers and building contractors

END USERS: conference centers, hotels, public buildings, public store buildings and private and public buildings in general

ADDITIONAL NOTES:

Other information supports: our official websites, Youtube®, Facebook®, catalogue and online catalogue, demo videos and more.

PROMOTIONAL TIPS:

No specific timing, thus we recommend the occasional promotion like offering of accessories.

RANGING TABLE:

Frame/Colour:	Surface/Colour:	Product Size:	Packed mm	N.W. kg	G.W. kg	Reference:	RRP:
ESSENTIAL TOPAZ SERIES							
Aluminium	Enamel	600x450	720x470x22	1,89	2,45	CR0401830	---
Aluminium	Enamel	900x600	1030x620x25	3,61	4,60	CR0601830	---
Aluminium	Enamel	1200x900	1330x920x25	6,96	8,81	CR0801830	---
Aluminium	Enamel	1200x1200	1330x1260x25	9,16	11,62	CR1701830	---
Aluminium	Enamel	1500x1000	1650x1050x25	9,54	12,02	CR0901830	---
Aluminium	Enamel	1500x1200	1650x1260x25	11,36	14,33	CR1001830	---

RANGING TABLE:

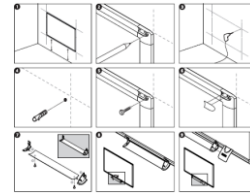
Frame/Colour:	Surface/Colour:	Product Size:	Packed mm	N.W. kg	G.W. kg	Reference:	RRP:
Aluminium	Enamel	1800x900	2000x940x25	10,30	12,93	CR1101830	---
Aluminium	Enamel	1800x1200	2000x1260x25	13,56	17,05	CR1201830	---
Aluminium	Enamel	2000x1000	2200x1050x25	12,62	15,82	CR1301830	---
Aluminium	Enamel	2000x1200	2200x1260x25	13,20	16,40	CR1401830	---
Aluminium	Enamel	2400x1200	2590x1260x25	17,96	22,47	CR1501830	---
Aluminium	Lacquered steel	600x450	720x470x22	1,55	2,10	MA0207830	---
Aluminium	Lacquered steel	900x600	1030x620x25	2,93	3,91	MA0307830	---
Aluminium	Lacquered steel	1200x900	1330x920x25	5,59	7,44	MA0507830	---
Aluminium	Lacquered steel	1200x1200	1330x1260x25	7,33	9,79	MA3807830	---
Aluminium	Lacquered steel	1500x1000	1650x1050x25	7,64	10,12	MA1507830	---
Aluminium	Lacquered steel	1500x1200	1650x1260x25	9,07	12,05	MA1207830	---
Aluminium	Lacquered steel	1800x900	2000x940x25	8,25	10,87	MA0707830	---
Aluminium	Lacquered steel	1800x1200	2000x1260x25	10,82	14,30	MA2707830	---
Aluminium	Lacquered steel	2000x1000	2200x1050x25	10,08	13,28	MA2207830	---
Aluminium	Lacquered steel	2000x1200	2200x1260x25	11,00	14,30	MA2807830	---
Aluminium	Lacquered steel	2400x1200	2590x1260x25	14,31	18,82	MA2107830	---
Aluminium	Melamine	600x450	720x470x22	1,93	2,48	MA0212830	---
Aluminium	Melamine	900x600	1030x620x25	3,68	4,67	MA0312830	---
Aluminium	Melamine	1200x900	1330x920x25	7,10	8,95	MA0512830	---
Aluminium	Melamine	1200x1200	1330x1260x25	9,35	11,81	MA3812830	---
Aluminium	Melamine	1500x1000	1650x1050x25	9,74	12,22	MA1512830	---
Aluminium	Melamine	1500x1200	1650x1260x25	11,59	14,57	MA1212830	---
Aluminium	Melamine	1800x900	2000x940x25	10,51	13,14	MA0712830	---
Aluminium	Melamine	1800x1200	2000x1260x25	13,84	17,33	MA2712830	---
Aluminium	Melamine	2000x1000	2200x1050x25	12,88	16,08	MA2212830	---
Aluminium	Melamine	2000x1200	2200x1260x25	13,40	16,90	MA2812830	---
Aluminium	Melamine	2400x1200	2590x1260x25	18,34	22,85	MA2112830	---
Aluminium	Enamel	600x450	720x470x22	1,89	2,45	CR0403830	---
Aluminium	Enamel	900x600	1030x620x25	3,61	4,60	CR0603830	---
Aluminium	Enamel	1200x900	1330x920x25	6,96	8,81	CR0803830	---
Aluminium	Enamel	1200x1200	1330x1260x25	9,16	11,62	CR1703830	---
Aluminium	Enamel	1500x1000	1650x1050x25	9,54	12,02	CR0903830	---
Aluminium	Enamel	1500x1200	1650x1260x25	11,36	14,33	CR1003830	---
Aluminium	Enamel	1800x900	2000x940x25	10,30	12,93	CR1103830	---
Aluminium	Enamel	1800x1200	2000x1260x25	13,56	17,05	CR1203830	---
Aluminium	Enamel	2000x1000	2200x1050x25	12,62	15,82	CR1303830	---
Aluminium	Enamel	2000x1200	2200x1260x25	13,20	16,40	CR1403830	---
Aluminium	Enamel	2400x1200	2590x1260x25	17,96	22,47	CR1503830	---
Aluminium	Melamine	600x450	720x470x22	1,93	2,48	MA0221830	---
Aluminium	Melamine	900x600	1030x620x25	3,68	4,67	MA0321830	---
Aluminium	Melamine	1200x900	1330x920x25	7,10	8,95	MA0521830	---
Aluminium	Melamine	1200x1200	1330x1260x25	9,35	11,81	MA3821830	---
Aluminium	Melamine	1500x1000	1650x1050x25	9,74	12,22	MA1521830	---
Aluminium	Melamine	1500x1200	1650x1260x25	11,59	14,57	MA1221830	---

RANGING TABLE:

Frame/Colour:	Surface/Colour:	Product Size:	Packed mm	N.W. kg	G.W. kg	Reference:	RRP:
Aluminium	Melamine	1800x900	2000x940x25	10,51	13,14	MA0721830	---
Aluminium	Melamine	1800x1200	2000x1260x25	13,84	17,33	MA2721830	---
Aluminium	Melamine	2000x1000	2200x1050x25	12,88	16,08	MA2221830	---
Aluminium	Melamine	2000x1200	2200x1260x25	13,40	16,90	MA2821830	---
Aluminium	Melamine	2400x1200	2590x1260x25	18,34	22,85	MA2121830	---

TECHNICAL DETAILS**COMPOSITION:**

- Anodized aluminium frame
- White magnetic or dry erase surface
- Wooden based core
- melamine surface: 5 year warranty
- lacquered steel surface: 10 year warranty
- enamel surface: 25 year warranty

ASSEMBLY OVERVIEW:**CERTIFICATION AND LEGISLATION:**

n/a

ILLUSTRATION:

n/a

SUGGESTED ADVERT:**New Generation Maya Whiteboard - Essential Series****Innovative solution with sliding pen tray**

- Essential Topaz Series:
 - Good value for money for frequent use
- Unique repositionable sliding pen tray
- Smart anodized aluminium frame with contrasting profiles
- Available in three choices of surface:
 - Melamine
 - Lacquered steel
 - Enamel
- Wall fixings supplied
- Gridded solution also available in melamine or enamel surfaces, improving drawing and writing

**WITHIN FAMILY:**

- Maya Whiteboard
- Eclipse Whiteboard
- Maya Trio Whiteboard

QR CODE:

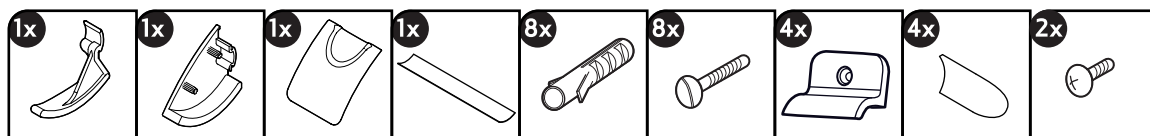
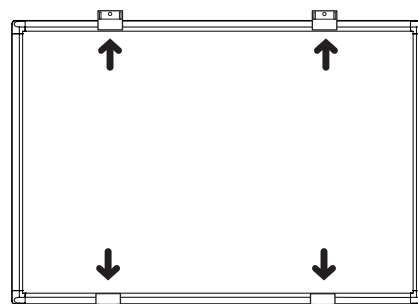
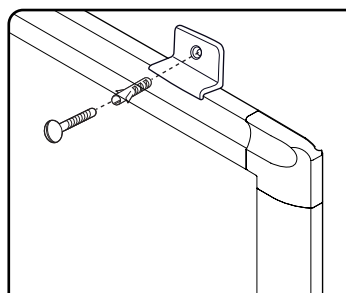
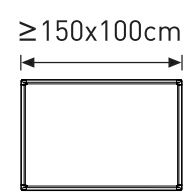
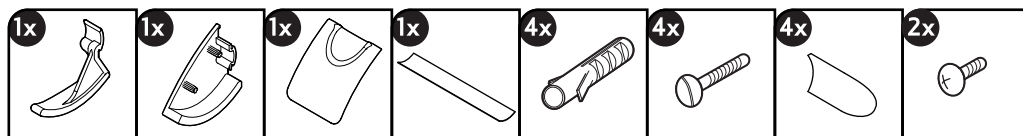
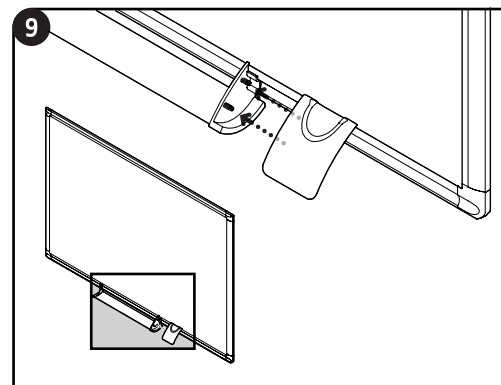
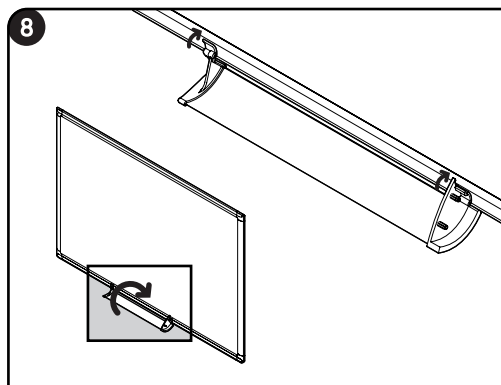
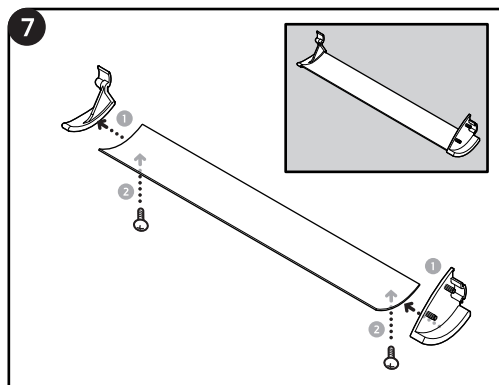
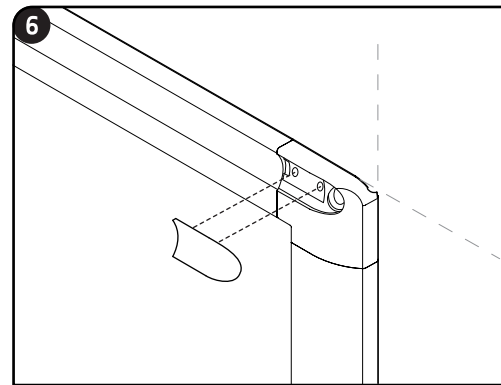
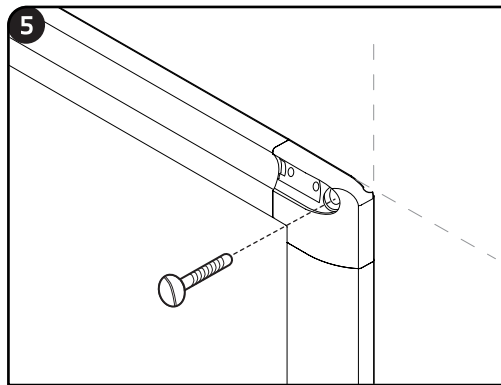
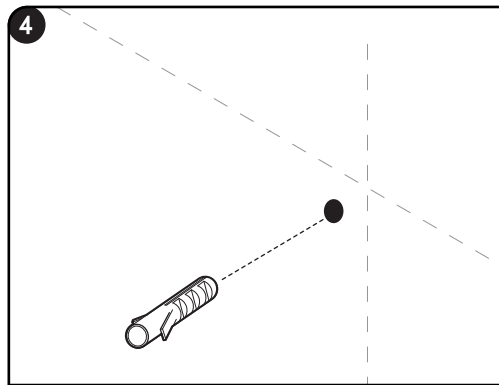
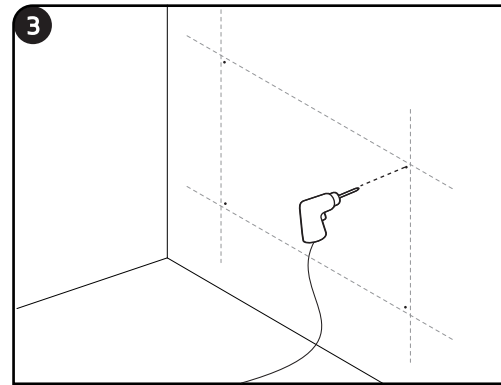
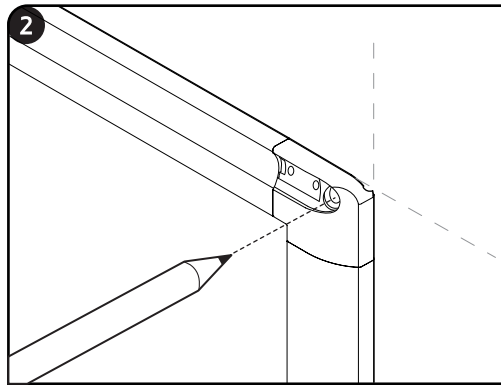
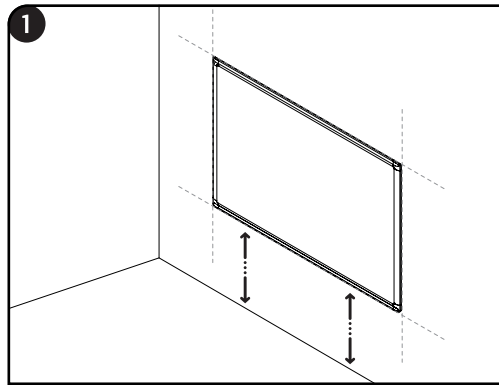
Author: Ana Oliveira

Approval:

Revision: 02
Date: 12-08-2015

MAYA NEWGEN DRYERASE BOARD

INSTRUCTIONS • INSTRUCTIES • ISTRUZIONI • ANLEITUNG • INSTRUCCIONES • INSTRUÇÕES



38029443.1