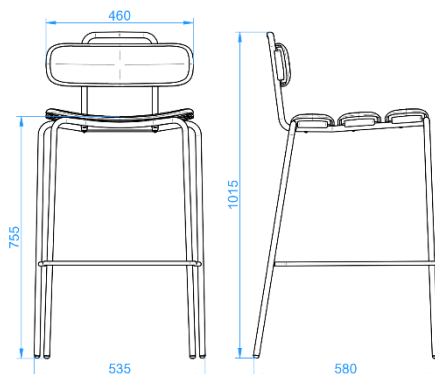


SGABELLO ALTO

HIGH STOOL



IMBALLO

PACKAGING

50 pcs Pallet 114x114
Volume [m3 x1]: 0,08

STRUTTURA PER INTERNI /
FRAME FOR INDOOR



Cromo
Chrome

STRUTTURA PER ESTERNI /
FRAME FOR OUTDOOR



Nero
Black



Avorio
Ivory



Grigio
Grey



Verde
Green



Giallo
Yellow



Rosso
Red

- Gambe anteriori/posteriori + seduta/schienale: tubo tondo Ø18x2 asform lucido crom.in acciaio saldato ad H.F. E420-CR2-S3 EN 10305-3
- Trasverso posteriore: lamiera decappata S235JR EN 10025-2:2005
- Poggiapiedi: filo ferro trafilato crudo lucido Ø12 FE 360 B EN 10204:2004(E)/DIN 50049
- Front/rear legs + seat/back: tube Ø18x2 asform bright for chrome plating carbon steel welded tubes from cold-rolled strip E420-CR2-S3 EN 10305-3
- Rear crossbar: pickled sheet S235JR EN 10025-2:2005
- Footrest: bright wire for chrome plating Ø12 FE 360 B EN 10204:2004(E)/DIN 50049

Peso / weight [Kg x1]: 5,45

ACCESSORI / ACCESSORIES

TI18-puntale alet.testa sferica Ø18 nero / TI18-cap Ø18 spherical head black
PIT-paracolpi c/incavo in pvc / PIT-buffers with hole in PVC

IMPILABILITA' / STACKABILITY

Senza copertina / Without cover under seat

Con copertina / With cover under seat

Senza carrello [UN] /
without trolley [UN]

Con carrello [UN] /
with trolley [UN]

Senza carrello [UN] /
without trolley [UN]

Con carrello [UN] /
with trolley [UN]

4

xxx

NO

NO

agganci laterali / lateral hook
interasse min. senza aggancio /
min. distance between chairs center without lateral hook
interasse max. con aggancio /
max. distance between chairs center with lateral hook

NO
535 mm

NO